

MAKEN

Heavy Duty Flip Top Cash Drawer

Make It Happen

INNOVATION QUALITY SERVICE



FT-460

Is the standard flip top cash drawer, which is very popular in compact retail environment, various interfaces available for POS terminal.



Stainless steel flip top cover

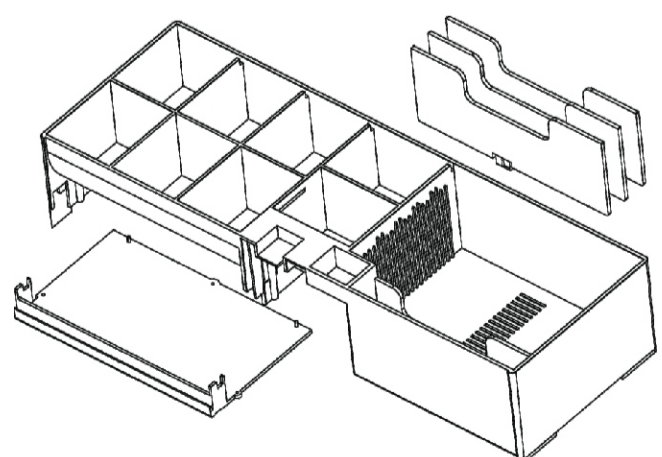
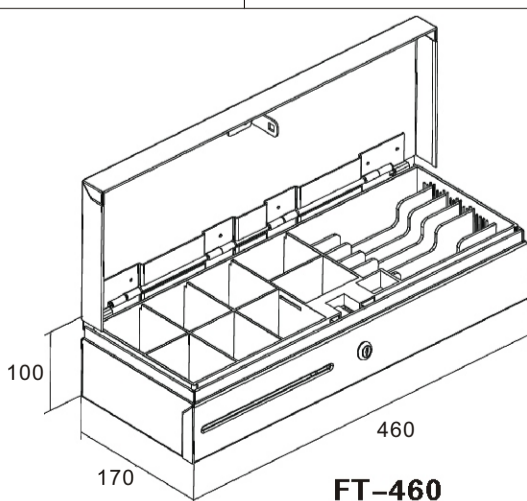


FT-460 Specifications

MODEL NUMBER	FT-460
PHYSICAL	
Dimension	460 (W)x170 (D)x100 (H)mm
Construction	Thick gauge cold rolled steel & SECC
Finish	Textured hybrid powder coat
Color	Black, Beige and Custom type
CASH TRAY (INSERT)	
Construction	Shatter-resistant plastic
Currency Layout	6-Bill, 8-Coin Slots
Media Slots	1
OPERATION	
Lock	3-Position lock: locked open/ closed, manual open, electronically driven
Interface	RJ11, RJ12, USB, RS232, DC Φ 2.5 /3.5 Jack, custom type
Lifecycle	MTBF 1,000,000 times +
Micro Switch	Cash Drawer Status Micro Switch

OPTION	ACCESSORIES	
	Part Number	Description
Stainless Steel Front		
Cash tray with different currency layout	Tray-460FT	Cash Tray
Different color	Cover-460FT	Lockable Cover for Tray-460FT
Different interfaces		

Packing Details			
Models	Net Weight(kg)	Gross Weight(kg)	Carton Size(cm)
FT-460	5	5.5	51.0 x 22.0 x 14.0



Xiamen Maken Tech Co., Ltd.

2Floor, A Building, No.68, North Road,
High-tech Zone, Huli District, Xiamen 361006,
Fujian, China

Tel: +86-592-5768733
Fax: +86-592-5768735
www.maken.com.cn
E-mail: export@maken.com.cn

Specifications are subjected to change without notice.

